

button-fixTM instructions for use



Type 1 bonded fix sets

Button-fix is designed for furniture construction and interior fittings. The Type 1 Bonded Fix is for applications where screw-fixing to the panel is not possible and bonding is the preferred option.

The Fix is manufactured in ABS plastic and there are many structural adhesives suitable for bonding it to a wide range of panel materials. Please follow the adhesive manufacturer's guidance on load capacity. For critical applications it is essential to perform your own tests.

Avoid any contact with aggressive solvents and cleaning products.

Visit the website for more information on the complete Button-fix range.

WWW.BUTTON-FIX.COM

**BUTTONFIX LIMITED
UNIT A, 1 BRITTON STREET
LONDON, EC1M 5NW
T: +44 (0)20 8150 7190
E: INFO@BUTTON-FIX.COM
MANUFACTURED IN THE UK**

**Scottish Distributor:
ExWks
Unit 1A New Houstoun Business Park
Houstoun Road
LIVINGSTON
EH54 5BZ**



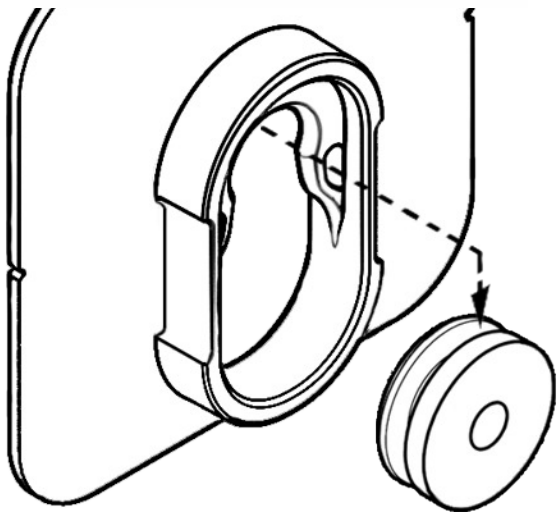
The Button-fix concept

is simple: durable polymer

Fixes are attached to the back of one panel and the mating Buttons are attached to the other. Bring the panels together and slide until the Button-fixes 'click'.

Button-fix can be configured in many different ways to best suit your application, either surface-mounted or rebated into the panel, and orientated for vertical or sideways assembly.

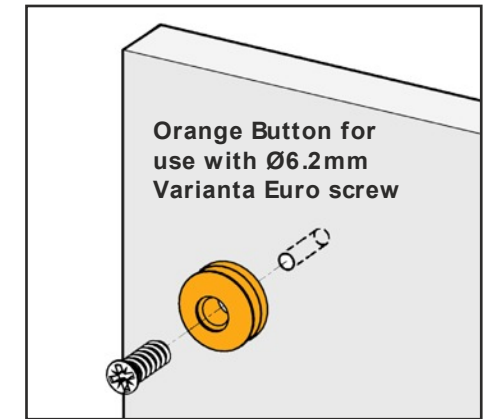
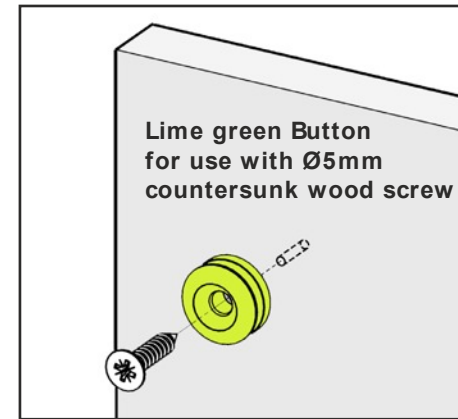
The following pages illustrate these different configurations.



The button

There are two Buttons to suit different screw types. These are colour-coded lime green for Ø5mm countersunk wood screws, or orange for Ø6.2mm Varianta Euro screws (to fit Ø5mm pilot holes).

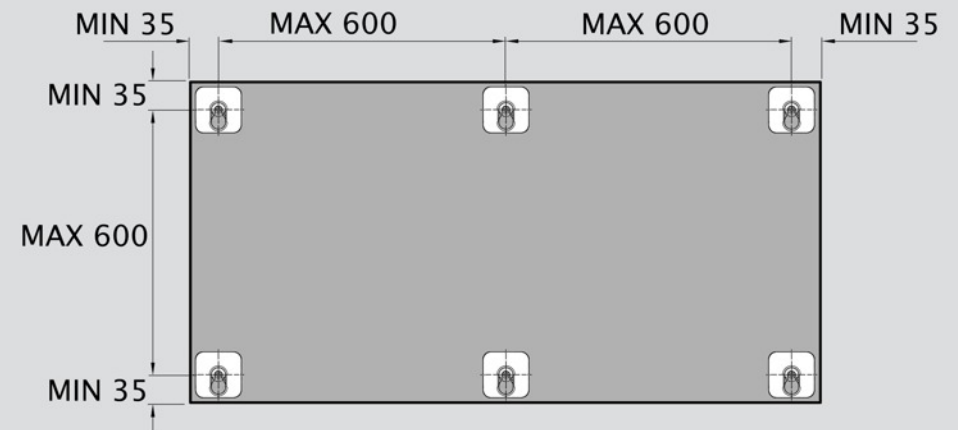
Check with your material supplier which screw type is best for your application.



Suggested layout

As an approximate guide, we suggest that Button-fix centres are no greater than 600mm apart and no closer than 35mm to the edge of the panel.

Always remember to allow at least 15mm clearance for the removable panel to disengage.

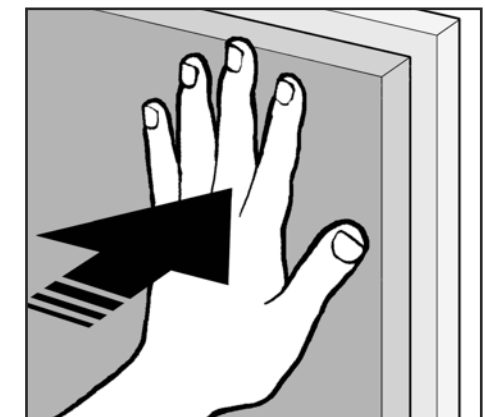


Button marker accessory

The Button marker accessory helps to mark out where to install the Buttons.

Once the Fix mouldings are bonded (see following pages), snap a marker into each one. Then position the panel and press firmly. The markers will leave indents in the mounting surface, which can be used as guides for drilling pilot holes for the Buttons.

Remove the markers, which can be re-used to mark out the next panel.

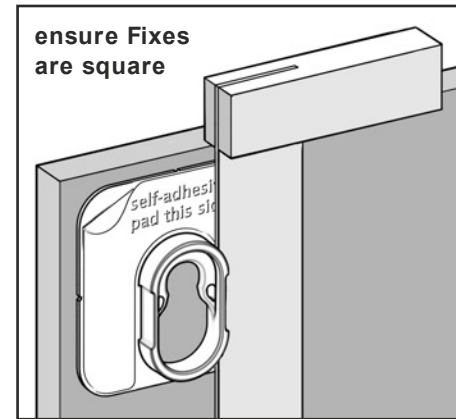
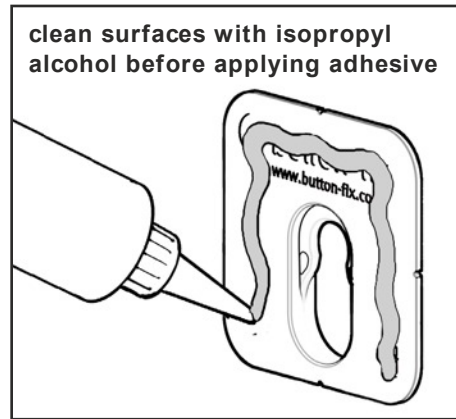


Surface-mounted fix

For applications where it is not possible to machine the panel material, the Fix can be surface-mounted. This creates an 8mm gap between the panel and the mounting surface.

Care must be taken to ensure the Fixes are correctly bonded to the panel.

It is imperative that all the Fixes on a panel are aligned with each other. Use a square to check alignment.



Suitable adhesives

The Fix is manufactured in ABS plastic. There are many structural adhesives suitable for bonding it to a wide range of panel materials, e.g. a 2-part structural acrylic adhesive or solvent weld for bonding to acrylic

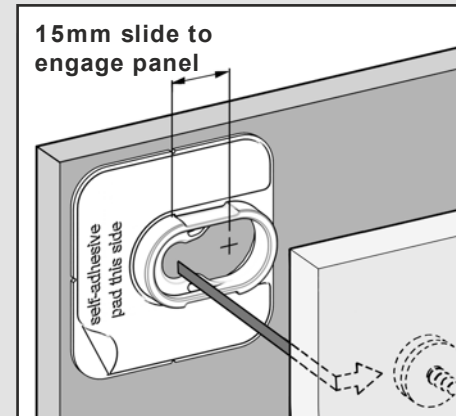
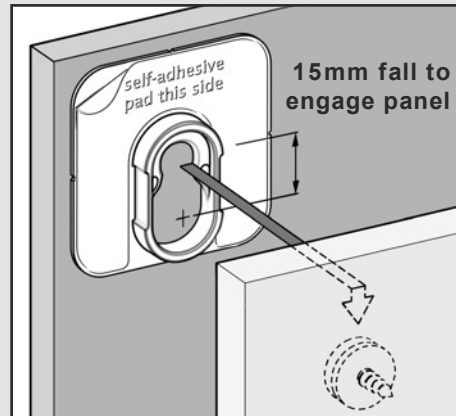
Always follow the adhesive manufacturer's recommendations on substrate suitability, preparation and loadings, and perform your own tests as necessary.

VERTICAL ARRANGEMENT

The Fix may be bonded to the removable panel in a vertical orientation, as shown in the diagram on the right.

In this configuration, the panels engage vertically and 15mm clearance is required above the removable panel.

Note: the Fix should be inverted if it is bonded to the mounting surface.



SIDWAYS ARRANGEMENT

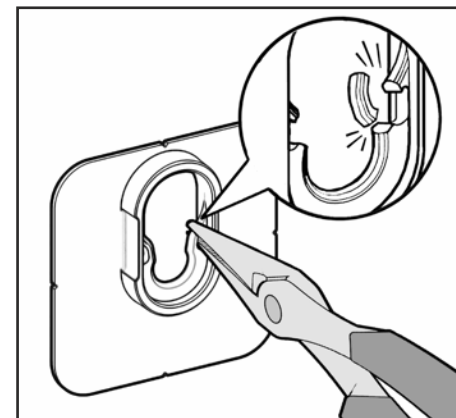
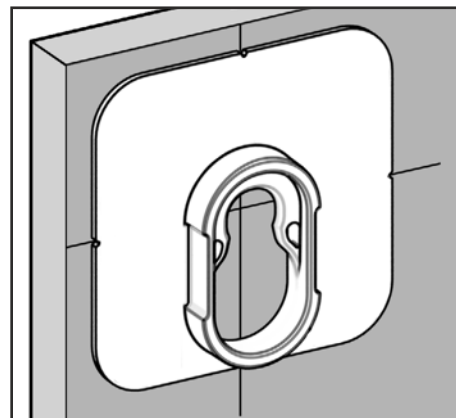
The Fix may be bonded to either the removable panel or the mounting surface in a sideways orientation, as shown in the diagram on the left.

In this configuration, the panels engage horizontally and 15mm clearance is required to the side of the removable panel.

Useful tips

When marking out the position of the Fixes on the panel, use the guide marks at the edge of the moulding to align with centre lines.

The centre line guide also corresponds with the position of the Button on the mating panel.



When several Button-fixes are used on a panel or if you require the panel to be easily removable, you can reduce the strength of the click-fit.

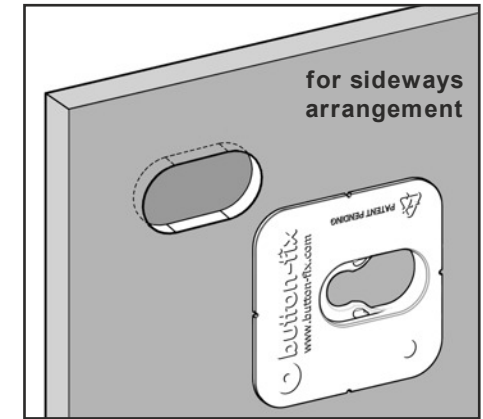
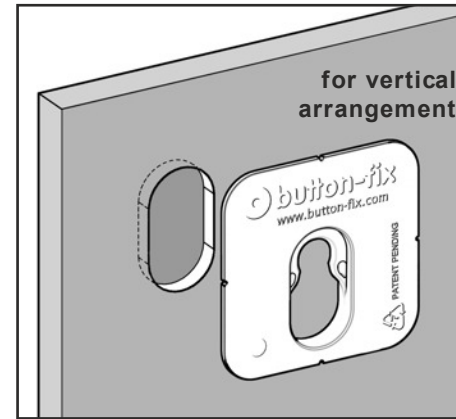
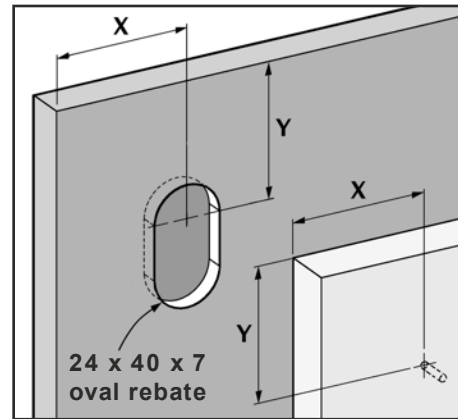
To achieve this adapt some (but not all) the Fix mouldings by snapping off the ears with needle-nosed pliers, as shown in the diagram on the left.

Rebated fix

For applications where it is possible to machine a 7mm deep rebate in the panel, a stronger panel support can be achieved as the rebate supports the Fix in shear. The rebate also helps to align the Fix while bonding.

Rebating the Fix creates a nominal 2mm gap between the two panels.

Read the notes on the previous page regarding suitable adhesives and surface preparation.

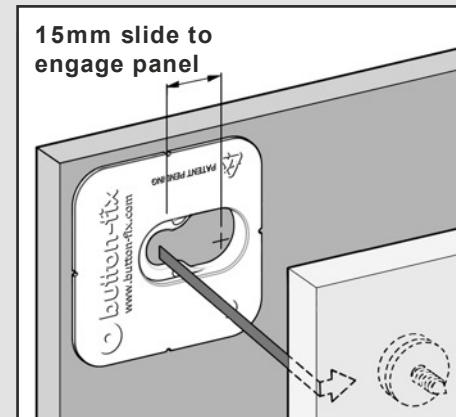
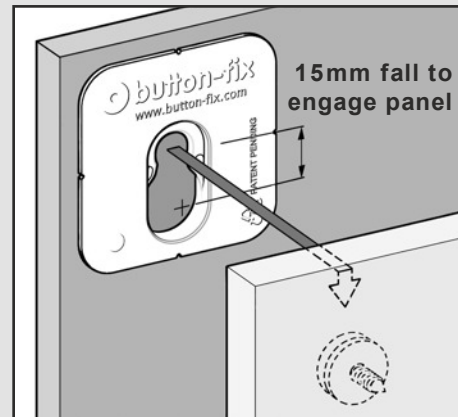


VERTICAL ARRANGEMENT

The Fix may be bonded to the removable panel in a vertical orientation, as shown in the diagram on the right.

In this configuration, the panels engage vertically and 15mm clearance is required above the removable panel.

Note: the Fix should be inverted if it is bonded to the mounting surface.



SIDWAYS ARRANGEMENT

The Fix may be bonded to either the removable panel or the mounting surface in a sideways orientation, as shown in the diagram on the left.

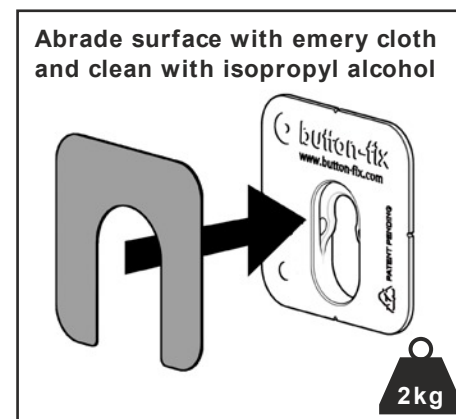
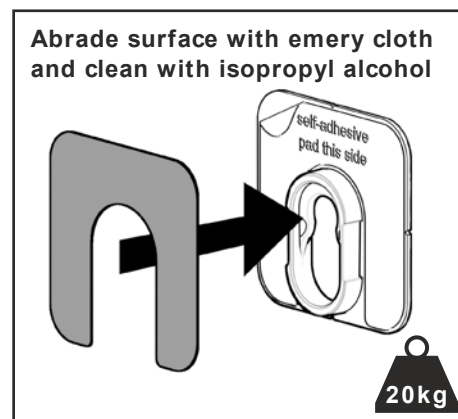
In this configuration, the panels engage horizontally and 15mm clearance is required to the side of the removable panel.

Self-adhesive fix-pads

The Fix may also be bonded using self-adhesive Fix-pads (ordered separately).

For best results, the surface of the Fix should be abraded using emery paper (180 grit) and both surfaces must be cleaned with isopropyl alcohol

Ideally, the assembled Fixes should be clamped or weighted to ensure good contact, and should not be fully loaded for at least 24 hours.



Important: we strongly advise that the self-adhesive Fix-pads are used in the rebated configuration, shown on this page, to avoid possible creep under loading.

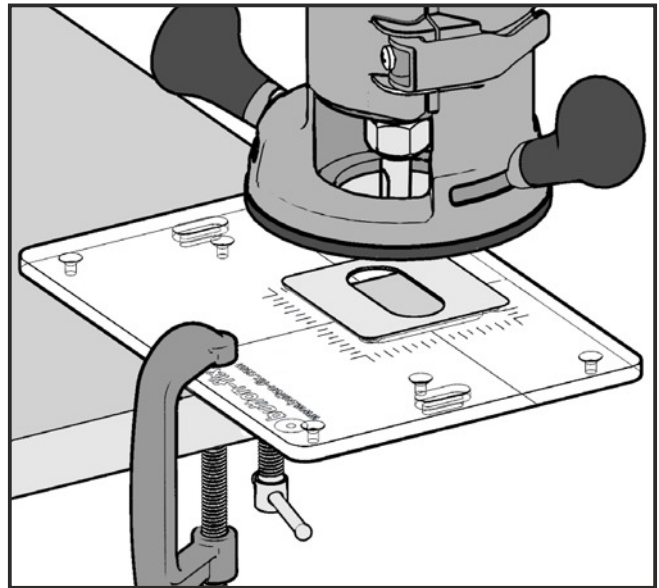
If Fix-pads are used in the surface-mounted configuration, the loading should be limited to a maximum of 2kg per Fix.

At room temperature approximately 50% of ultimate bond strength will be achieved after 20 minutes, 90% after 24 hours and 100% after 72 hours.

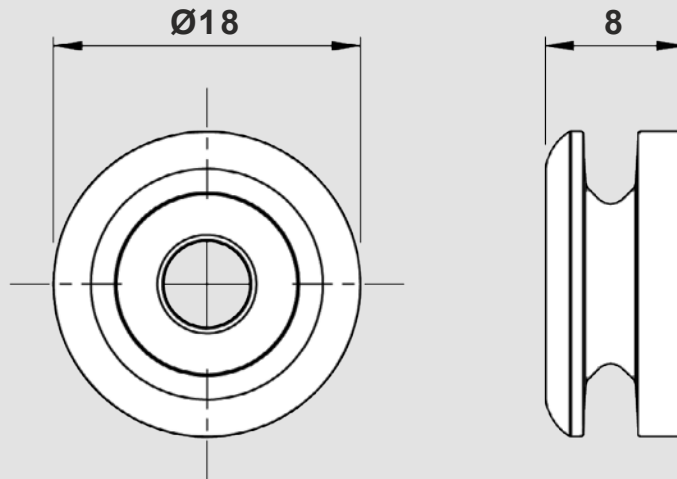
Router jig accessory

A router jig can be ordered separately for accurately machining the rebates for the Fixes, described on the previous page.

The jig is designed for use with a metric 12mm cutter and 18mm guide bush. Read the separate instructions supplied with the accessory before use.



Button dimensions



Type 1 bonded fix dimensions

